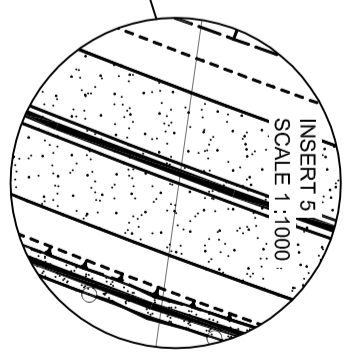
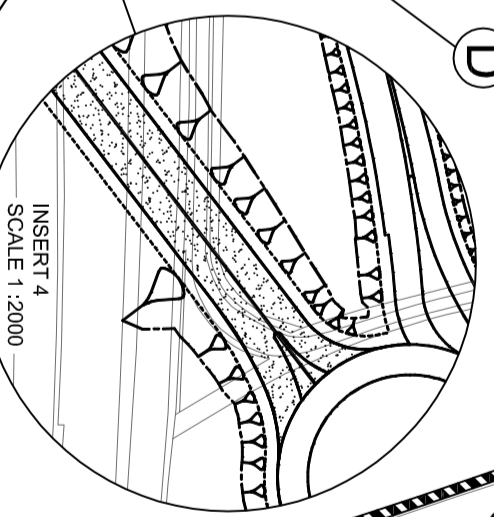
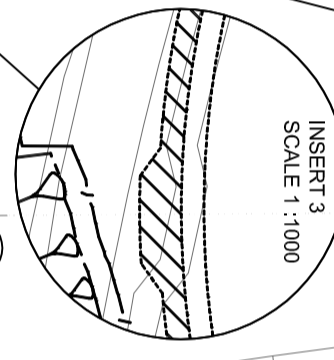
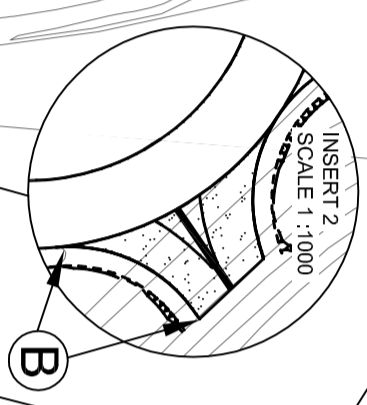
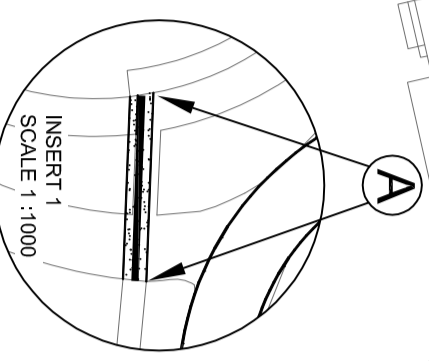
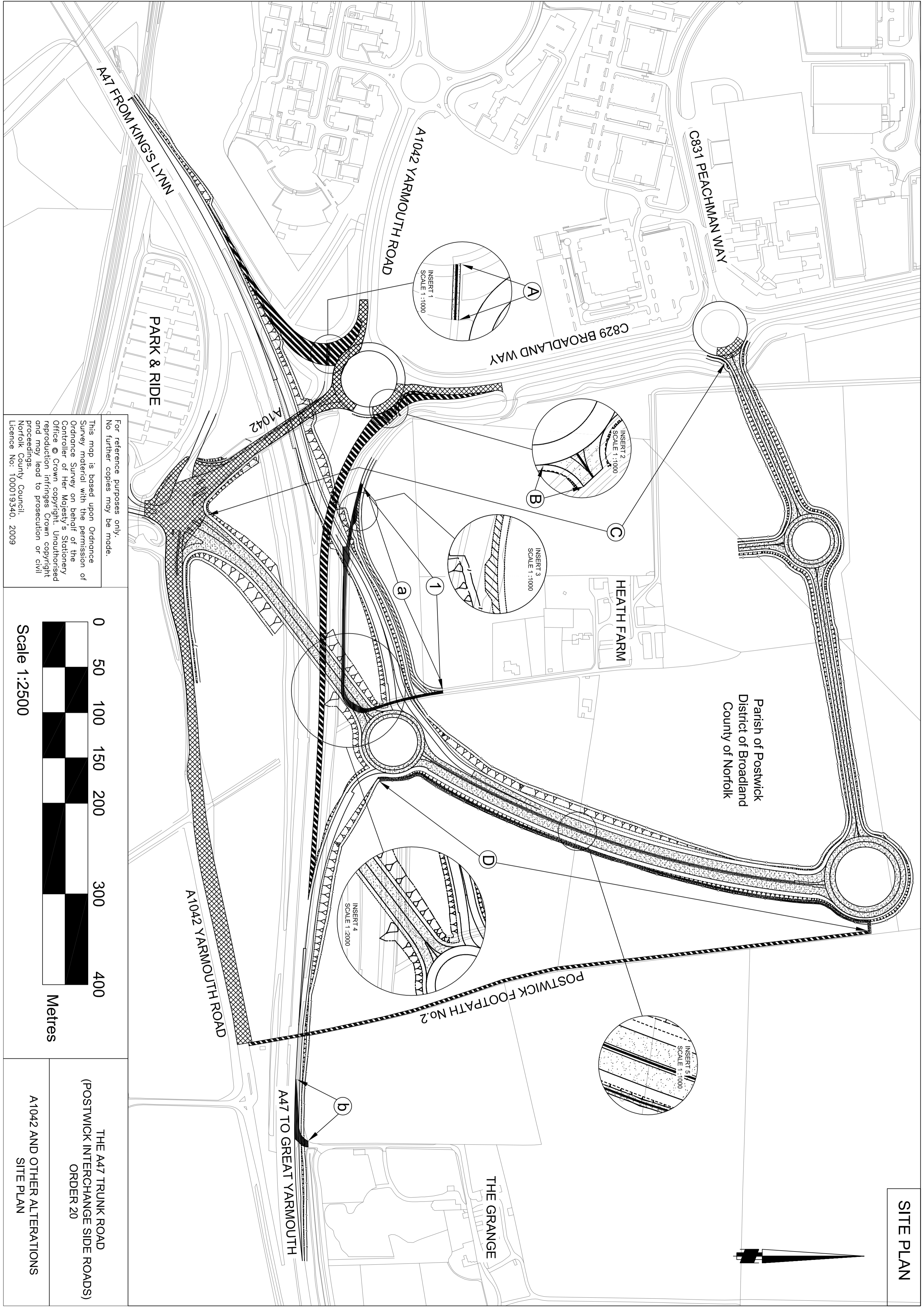
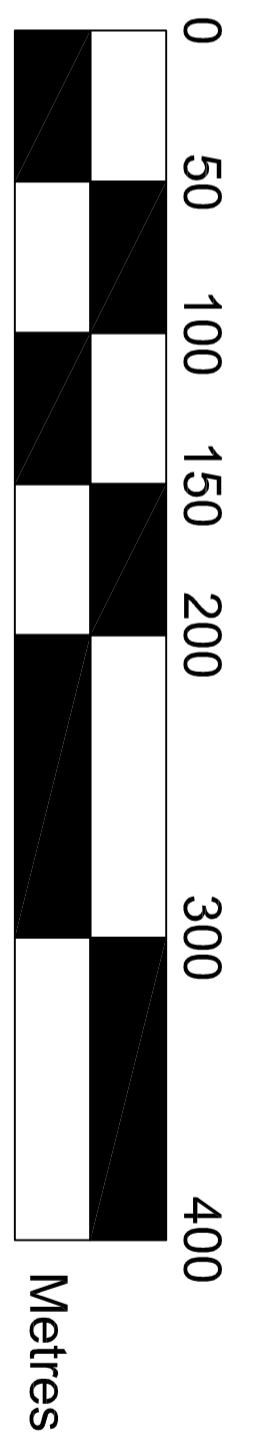


SITE PLAN



For reference purposes only.
No further copies may be made.

This map is based upon Ordnance Survey material with the permission of the Controller of Her Majesty's Stationery Office. © Crown copyright. Unauthorised reproduction infringes Crown copyright and may lead to prosecution or civil proceedings.
Norfolk County Council.
Licence No: 100019340. 2009



Scale 1:2500

THE A47 TRUNK ROAD
(POSTSWICK INTERCHANGE SIDE ROADS)
ORDER 20

A1042 AND OTHER ALTERATIONS
SITE PLAN